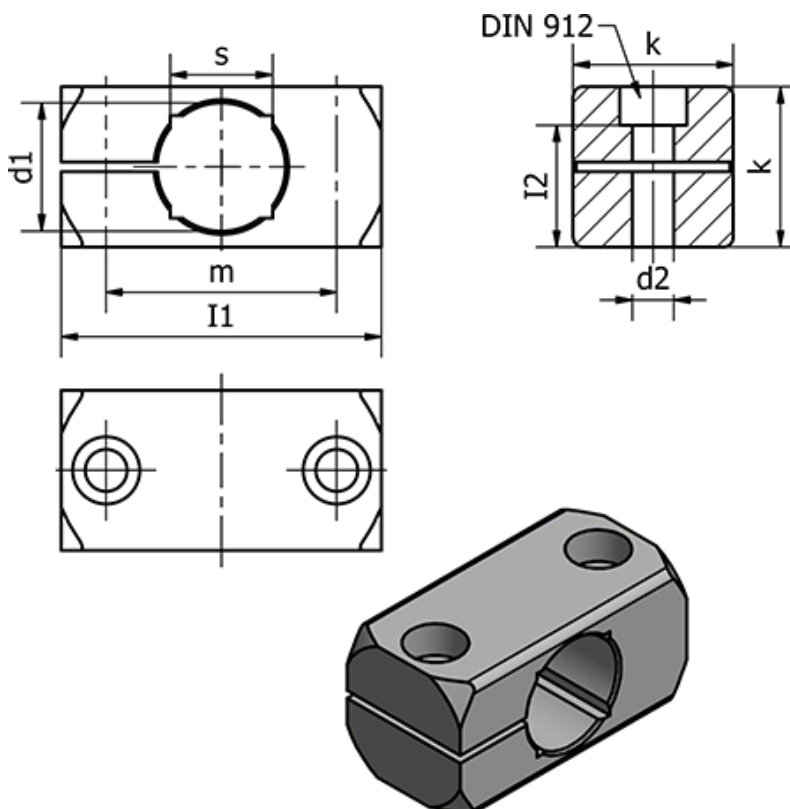


Article number: 20477B15MT

Description: E+G Clamp mounting - GN 477-B15-MT

Measures



Clamping kit for d2 = GN 511-M6-25

Clamping kit for d3 = -

d1 = 15
d2 = M6
l1 = 45
l2 = 14
k = 20
m = 32

s = 12

Weight (g) = 40